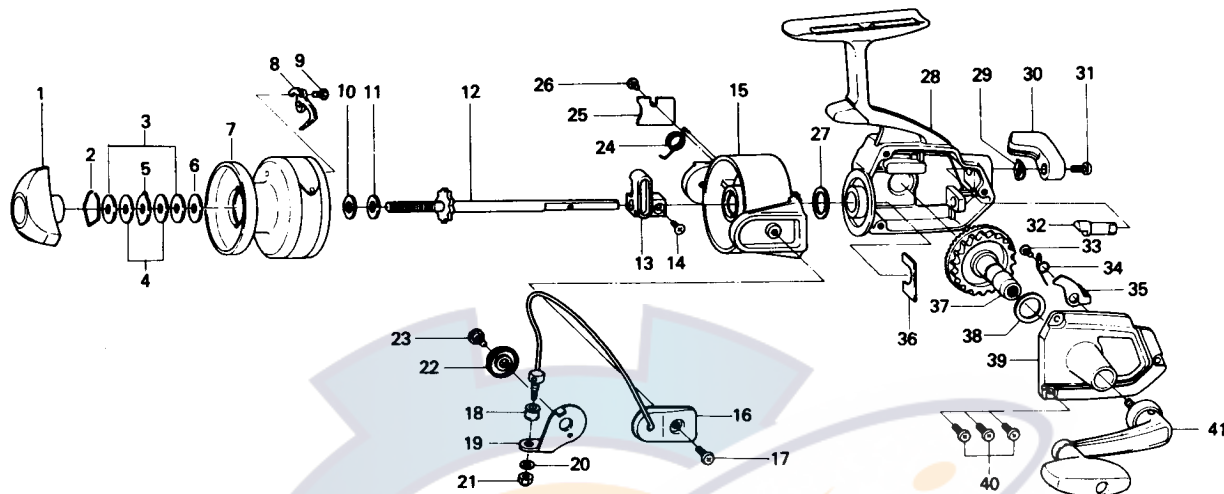


## SPINNING REEL B-130



**LINE CAPACITY: 200 YDS., 8 LB. TEST (185m. 3.6kg)**

Key No. 2 ~ 9

6-731-5603 Spool assembly \$6.35

Key No.	Parts No.	Parts Name	Price Per Piece	Key No.	Parts No.	Parts Name	Price Per Piece
1	6-740-2702	Drag knob	\$1.70	22	6-130-3201	Bail holder cap	\$ .10
2	6-170-4001	Drag washer retainer	.10	23	6-363-1901	Arm lever screw	.30
3	6-373-2502	Drag D washer	.15	24	6-144-4901	Bail spring	.10
4	6-374-2901	Disc washer	.20	25	6-634-1501	Bail spring cover	.15
5	6-375-5301	Drag A washer	.15	26	6-351-1801	Bail spring cover screw	.10
6	6-370-6901	Drag washer A	.15	27	6-372-8600	Rotor washer	.10
7	6-731-5702	Spool	N/A	28	6-700-7502	Body	4.00
8	6-030-4511	Spool click claw	.10	29	6-150-1751	Anti-reverse lever washer	.10
9	6-351-7701	Spool click claw screw	.10	30	6-541-3311	Anti-reverse lever	.15
10	6-374-9000	Spool adjusting washer	.10	31	6-351-8301	Anti-reverse lever screw	.10
11	6-374-9002	Spool washer	.10	32	6-460-7041	Anti-reverse cam	.20
12	6-710-9911	Main shaft	.95	33	6-351-7701	Anti-reverse claw screw	.10
13	6-481-1111	Oscillating slider	.30	34	6-144-2801	Anti-reverse claw spring	.10
14	6-352-1501	Oscillating slider screw	.10	35	6-111-4501	Anti-reverse claw	.10
15	6-736-1301	Rotor	2.65	36	6-632-6601	Pinion retainer	.10
16	6-725-6201	Bail	1.75	37	6-413-3301	Drive gear	1.30
17	6-351-6601	Bail holder screw	.10	38	6-371-2820	Drive gear washer	.10
18	6-250-1901	Line roller	.30	39	6-706-1302	Body cover	2.20
19	6-230-8812	Arm lever	.70	40	6-351-6401	Body cover screw	.10
20	6-160-0121	Bail washer	.10	41	6-746-5302	Handle	2.25
21	6-341-0801	Bail nut	.20				